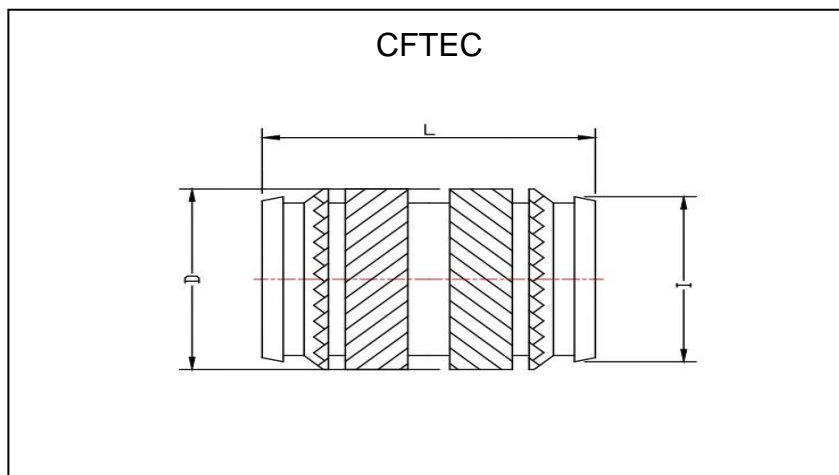


# CLINCHING FASTENERS CO., LTD.

## THREAD INSERT



Material 材質 : Brass 銅 / Finish 表面: Plain 原色

CFTEC

Dimensions: ISO metric /mm

Part Code	Thread Size	L	D	I	Rec. Hole Size -0.00/+0.10	Min. Wall Thickness
CFTEC-M2	M2	4.0	3.5	3.1	3.2	1.3
CFTEC-M2.5	M2.5	5.7	4.4	3.9	4.0	1.6
CFTEC-M3	M3	5.7	4.4	3.9	4.0	1.6
CFTEC-M3.5	M3.5	7.1	5.2	4.7	4.8	1.8
CFTEC-M4	M4	8.1	6.1	5.5	5.6	2.1
CFTEC-M5	M5	9.5	6.8	6.3	6.4	2.6
CFTEC-M6	M6	12.7	8.5	7.9	8.0	3.3
CFTEC-M8	M8	12.7	10.0	9.5	9.6	4.5