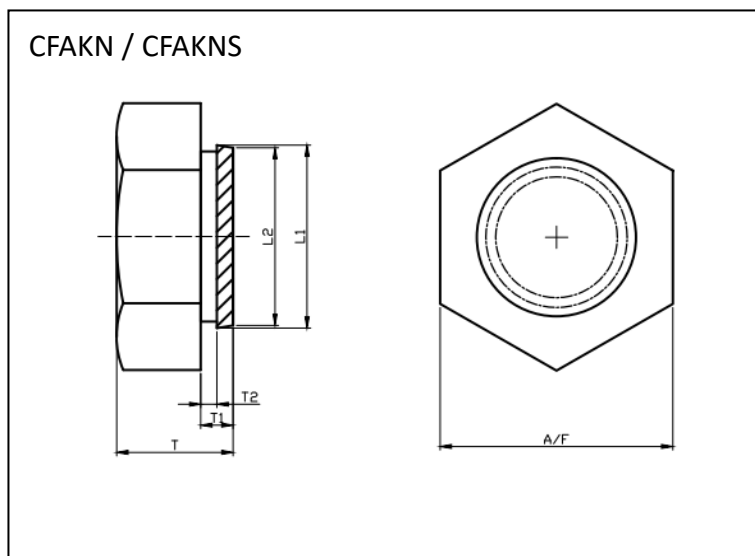


# CLINCHING FASTENERS CO., LTD.

## K NUTS 六角壓鉚螺母(Type A)



Material 材質: Steel 鋼 (CFAKN) / Stainless Steel 不鏽鋼 (CFAKNS)

Finish 表面: Cr3+ Zinc 三價鋅 (CFAKN) / Plain 原色 (CFAKNS)

CFAKN / CFAKNS

Dimensions: ISO metric/mm

Part Code 產品編號	Thread Size 螺紋尺寸	Sheet Thickness 板厚	A/F ±0.1	T ±0.13	T1 +0 -0.13	T2	L1 ±0.13	L2 +0.05 -0.13	Hole in Sheet "d" 板孔徑
CFAKN-M25 CFAKNS-M25	M2.5x0.45	1	5.5	3	0.9	0.4	4.7	4.5	4.5
CFAKN-M3 CFAKNS-M3	M3x0.5	1	5.5	3	0.9	0.4	4.7	4.5	4.5
CFAKN-M4 CFAKNS-M4	M4x0.7	1	7	3.2	0.9	0.4	5.7	5.5	5.5
CFAKN-M5 CFAKNS-M5	M5x0.8	1	8	4	0.9	0.4	6.75	6.5	6.5
CFAKN-M6 CFAKNS-M6	M6x1.0	1	10	5	0.9	0.4	8.3	8	8
CFAKN-M8 CFAKNS-M8	M8x1.25	2	13 ±0.13	6.5 ±0.15	1.8 +0 -0.15	0.9	10.3 ±0.15	10 +0.05 -0.15	10
CFAKN-M10 CFAKNS-M10	M10x1.5	2	15 ±0.13	8 ±0.15	1.8 +0 -0.15	0.9	12.85 ±0.15	12.5 +0.05 -0.15	12.5
CFAKN-M12 CFAKNS-M12	M12x1.75	3	17 ±0.13	10 ±0.15	2.8 +0/ -0.15	1.3	14.85 ±0.15	14.5 +0.05 -0.13	14.5